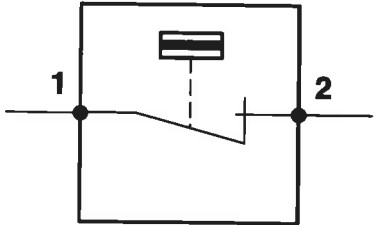
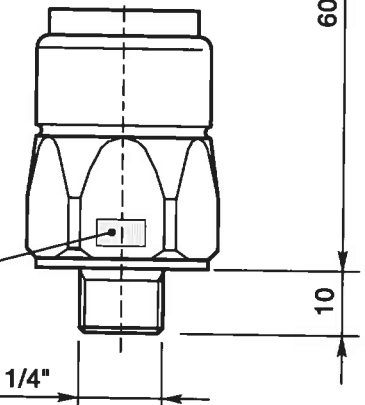
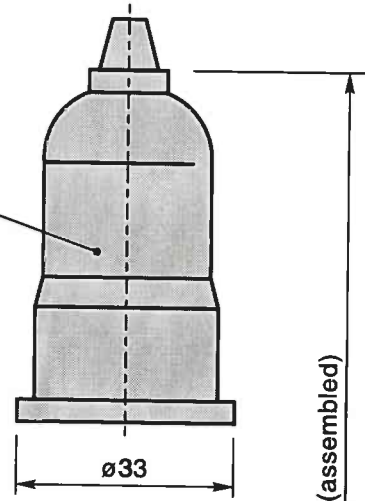


normally open
(pressure = 0)



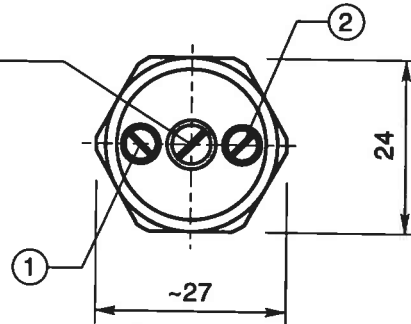
normally closed
(pressure = 0)

rubber cap



marking:
K 4 TA (normally open)
K 4 TC (normally closed)

adjustment screw:
green (normally open)
yellow (normally closed)



TECHNICAL CHARACTERISTICS

MAXIMUM CONTACT RATING	alternate current 48 V - max 2A direct current 48 V - max 1A
PROTECTION GRADE	IP 54
COMMUTATION FREQUENCY	200 cycles/min
WORKING TEMPERATURE	- 20 °C + +80 °C
ENDURANCE	10 ⁶ cycles at 70 bar 20° C
ADJUSTMENT RANGE	5 + 50 bar
BREAKING PRESSURE	200 bar
SWITCHING ACCURACY	± 5 % of set pressure 20° C
HYSTERESIS (MEDIUM VALUE)	6% of set value