



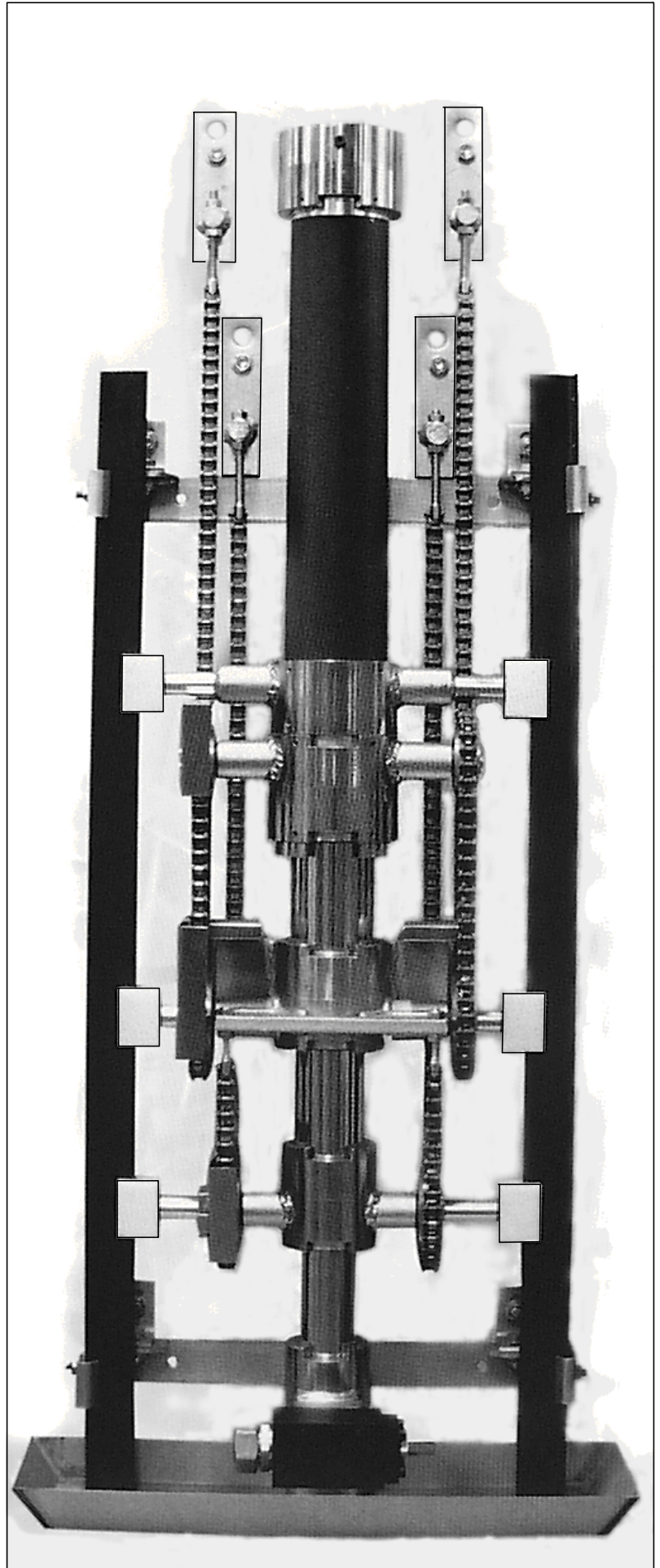
1/M:0.0

SÄKERHETSKRAV
SAFETY PRESCRIPTION
PRESCRIZIONI DI SICUREZZA
SICHERHEITSHINWEISE
CONSELS DE SECURITE
PRESCRIPCIONES DE SEGURIDAD
PRESCRICOES DE SEGURANCA
ZASADY BEZPIECZENSTWA

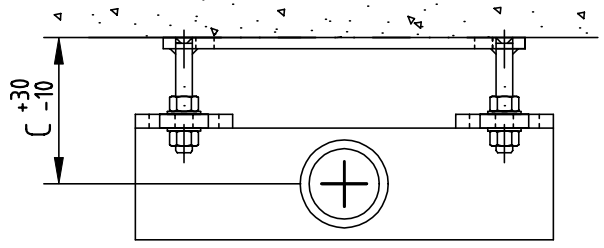
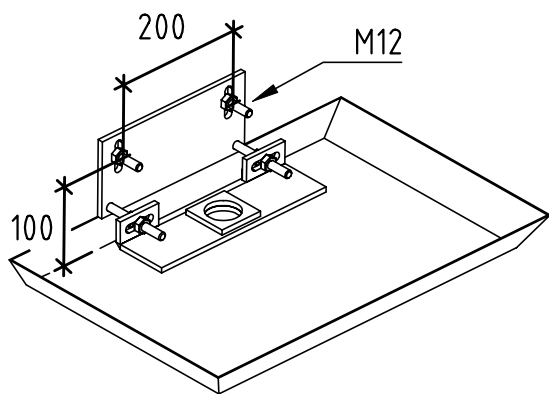
TCS 2N

TCS 2Y

TCS 3Y 



TCS 2N

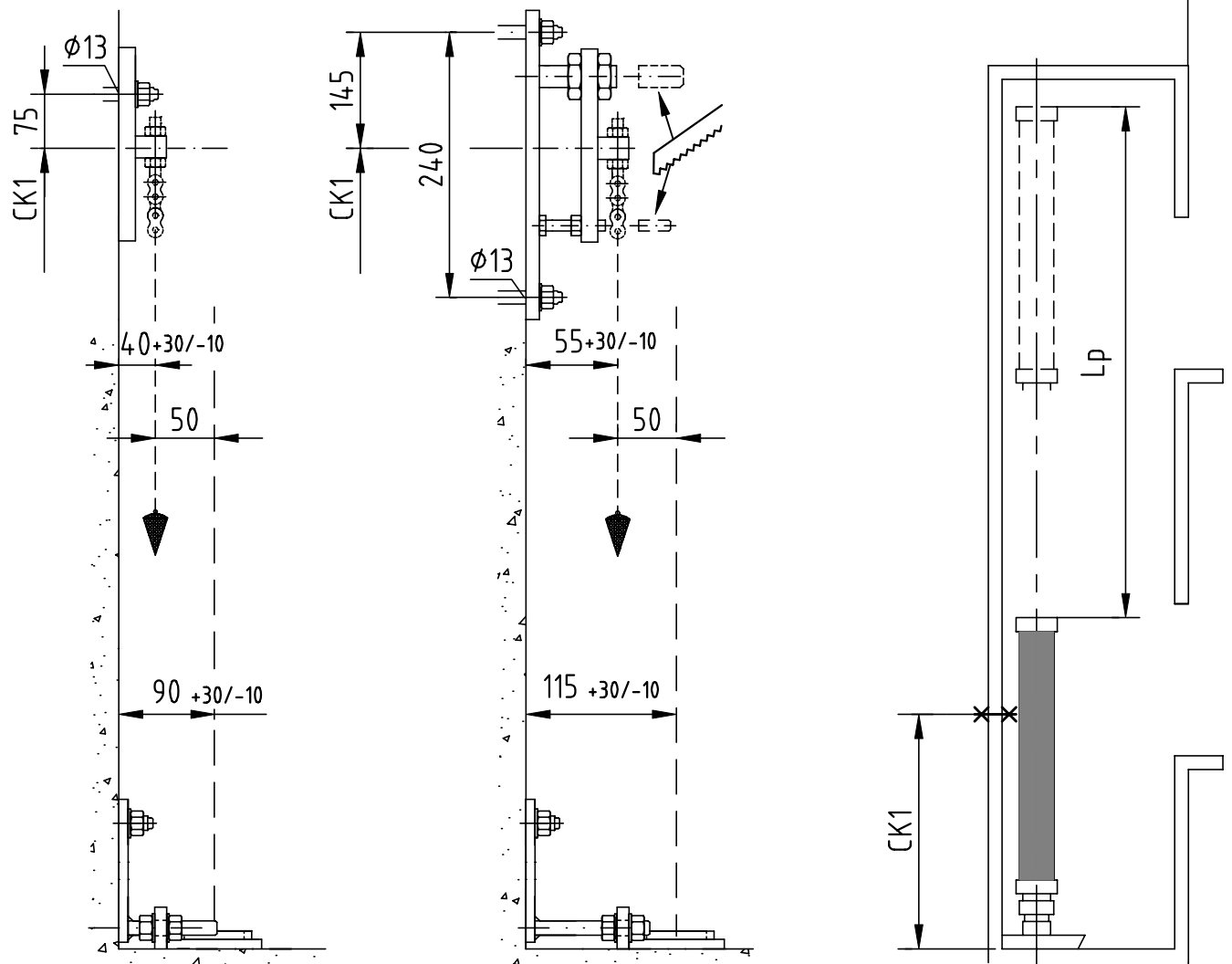


| TCS | C (mm) |
|---------------------|--------|
| TCS 60-2N -- 75-2N | 90 |
| TCS 90-2N -- 120-2N | 115 |

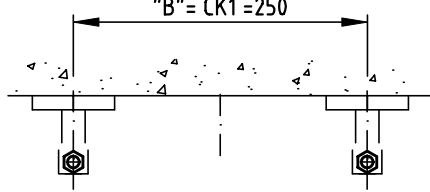
CK1

"A" (TCS 60-2N -- 75-2N)

"B" (TCS 90-2N -- 120-2N)

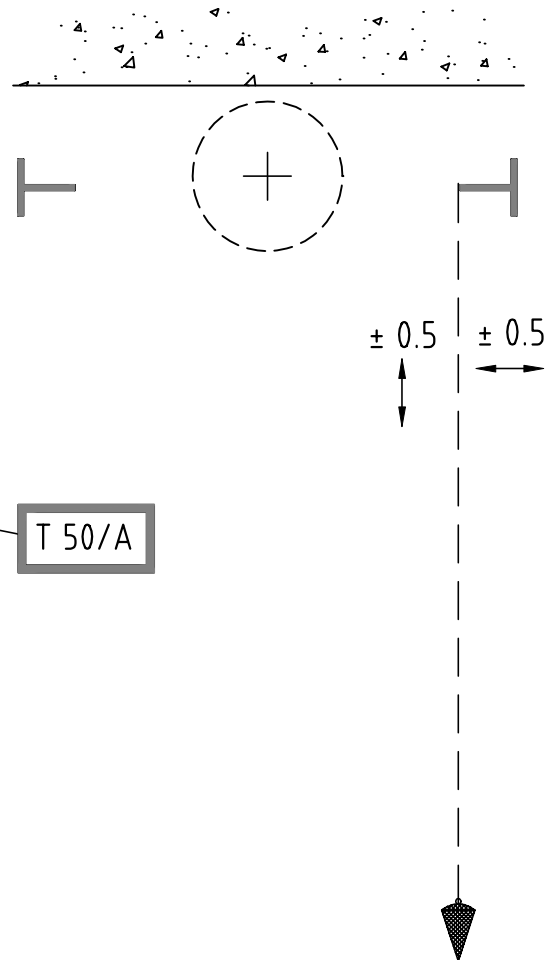
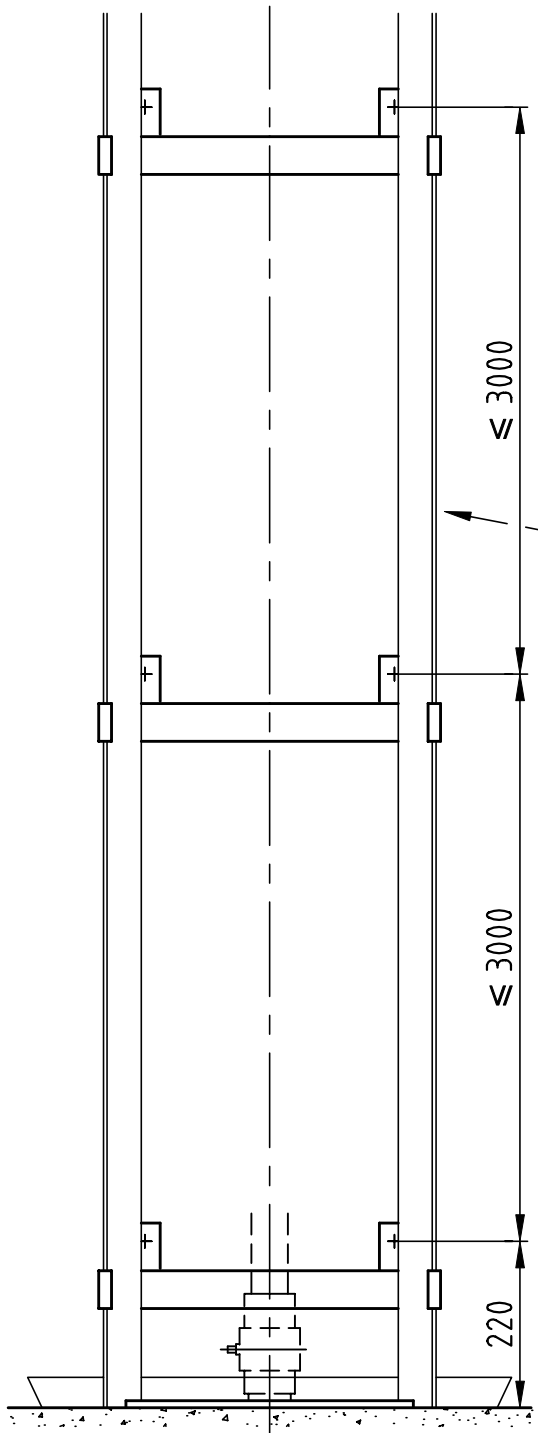
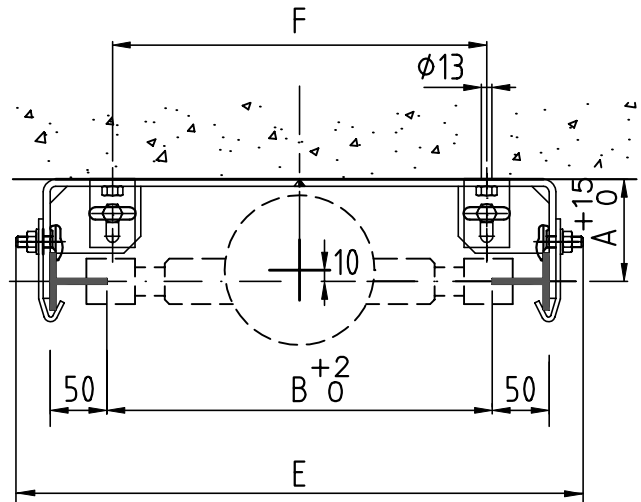
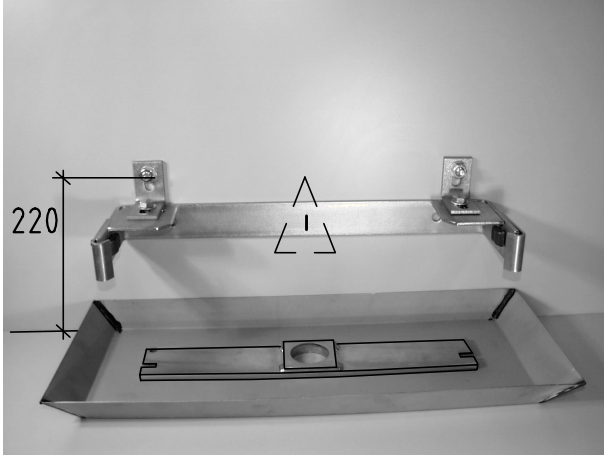


"A" = CK1 = 210
 "B" = CK1 = 250



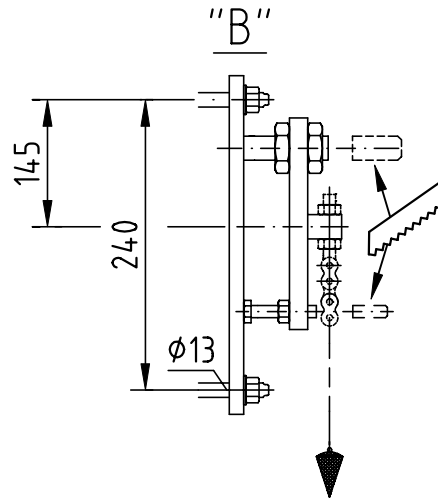
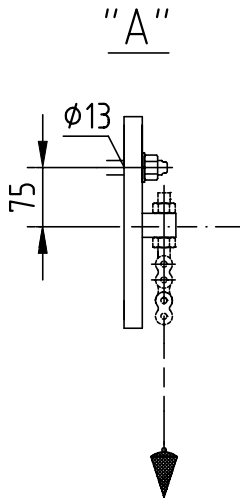
CK1 (TCS-2N)
 $1/2 Lp + 450 \leq CK1 \leq 1/2 Lp + 1900$

TCS -2Y,3Y

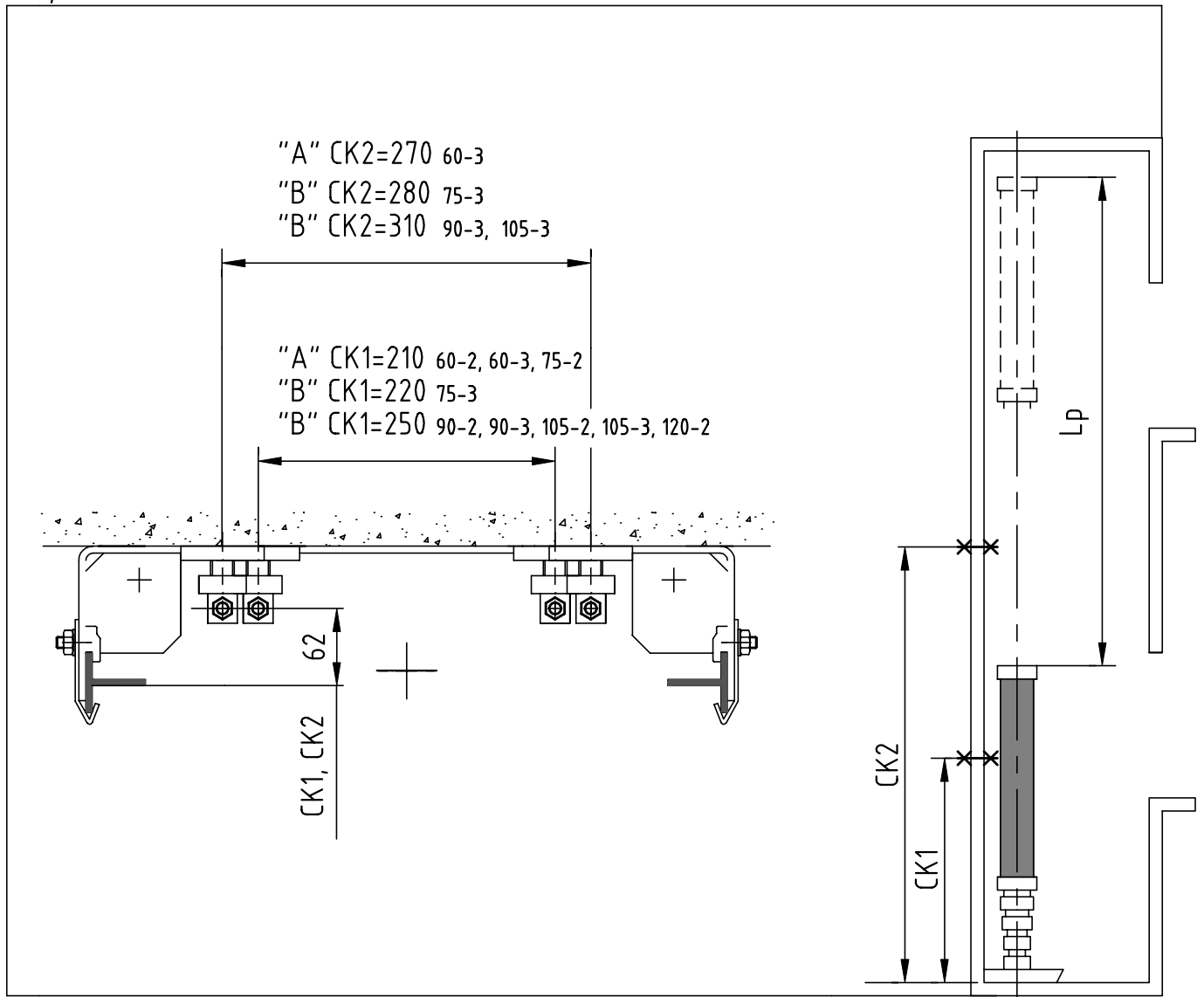


| TCS | A | B | E | F |
|-----------------|--------|-----|-----|-----|
| | (mm) | | | |
| 60-2Y -- 75-2Y | 90 | 340 | 490 | 350 |
| 90-2Y -- 120-2Y | 115 | 380 | 530 | 390 |
| 60-3Y | 90 | 400 | 550 | 410 |
| 75-3Y | | 410 | 560 | 420 |
| 90-3Y -- 105-3Y | 115 | 440 | 590 | 450 |

TCS -2Y,3Y



CK1, CK2



| | TCS | CK1 | CK2 |
|-----|-----------------|--|--|
| "A" | 60-2Y -- 75-2Y | $1/2 Lp + 450 \leq CK1 \leq 1/2 Lp + 1900$ | — |
| | 60-3Y | $1/3 Lp + 450 \leq CK1 \leq 1/3 Lp + 1900$ | $2/3 Lp + 600 \leq CK2 \leq 2/3 Lp + 2100$ |
| "B" | 90-2Y -- 120-2Y | $1/2 Lp + 450 \leq CK1 \leq 1/2 Lp + 1900$ | — |
| | 75-3Y -- 105-3Y | $1/3 Lp + 450 \leq CK1 \leq 1/3 Lp + 1900$ | $2/3 Lp + 600 \leq CK2 \leq 2/3 Lp + 2100$ |