	I/M:0.0	<small>GMV Sweden AB 134630 112 2008 1 2</small>
---	---------	--

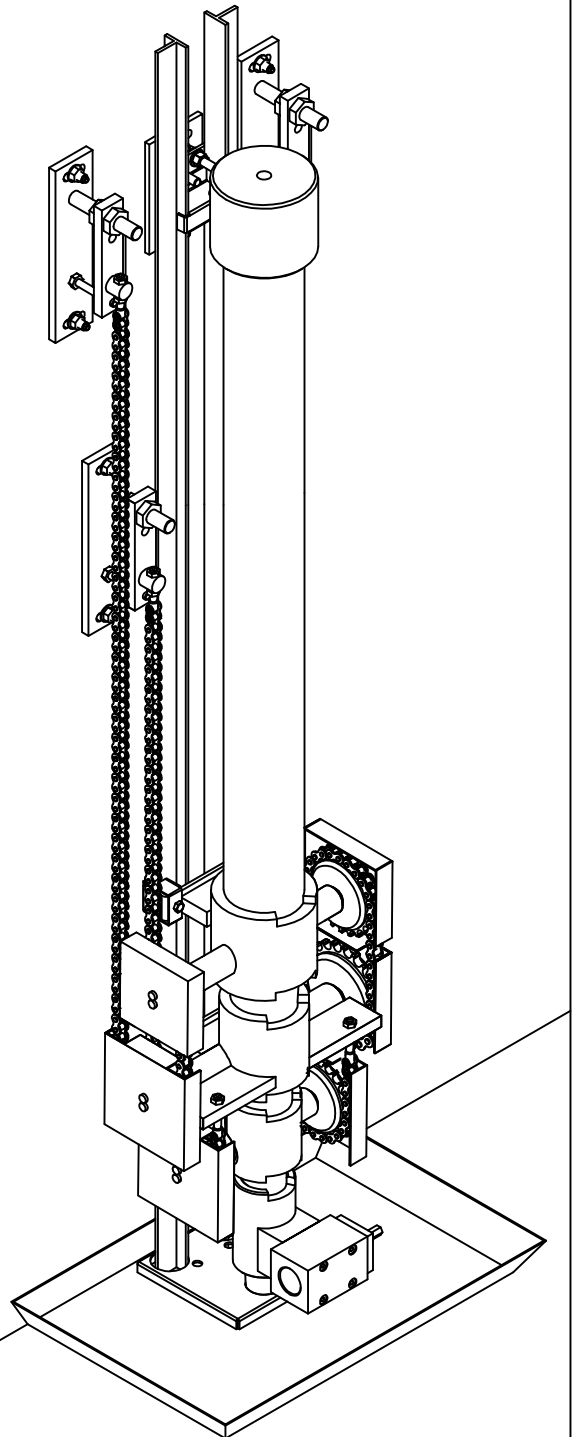
SÄKERHETSKRAV
SAFETY PRESCRIPTION
PRESCRIZIONI DI SICUREZZA
SICHERHEITSHINWEISE
CONSELS DE SECURITE
PRESCRIPCIONES DE SEGURIDAD
PRESCRICOES DE SEGURANCA
ZASADY BEZPIECZENSTWA

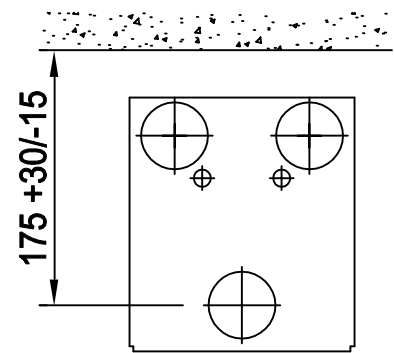
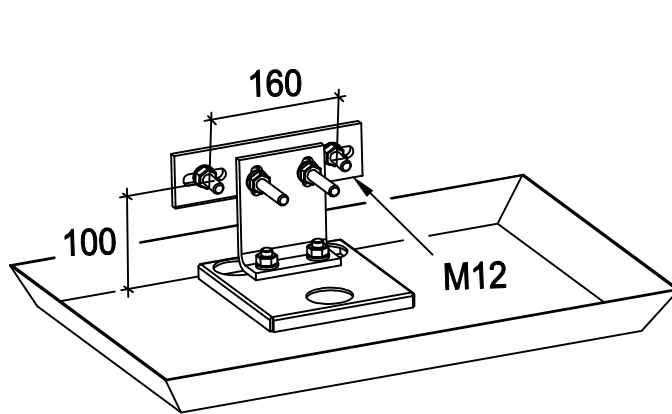
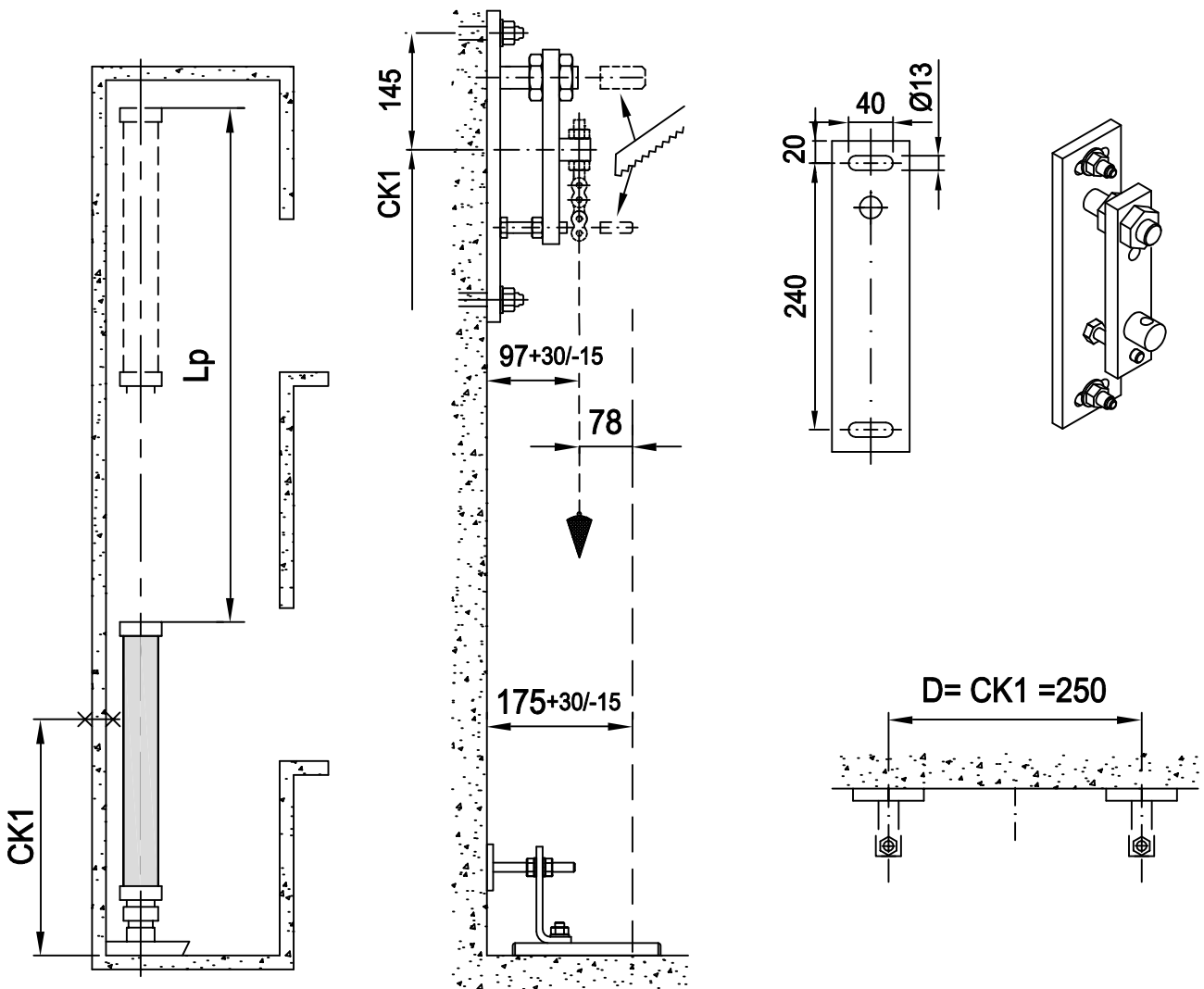
EC 2N

EC 2Y

EC 3Y

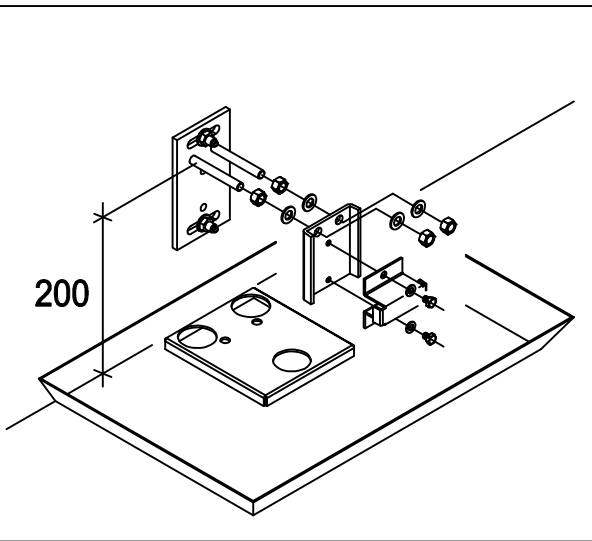
EC 4Y



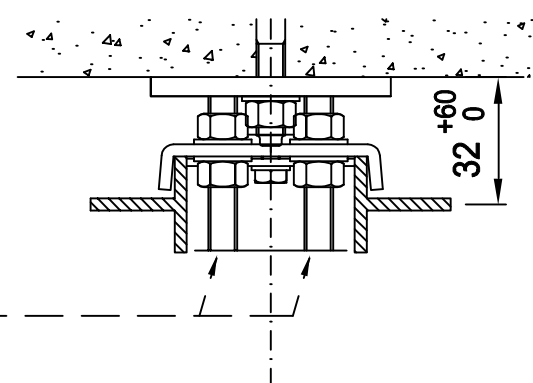
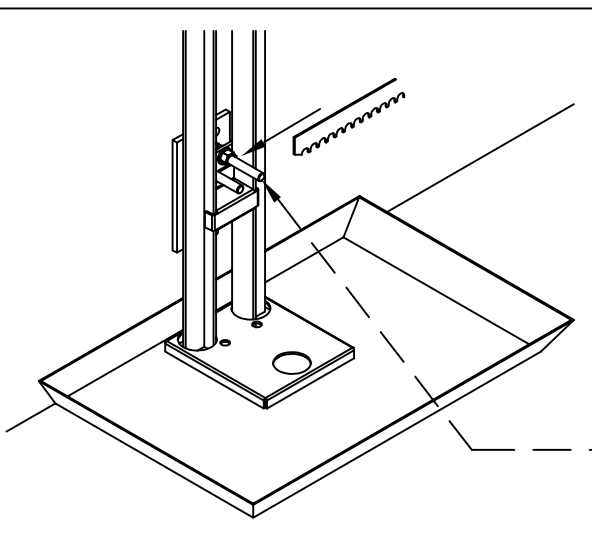
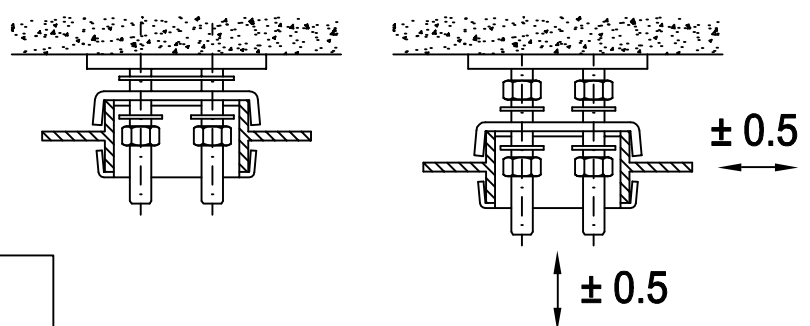
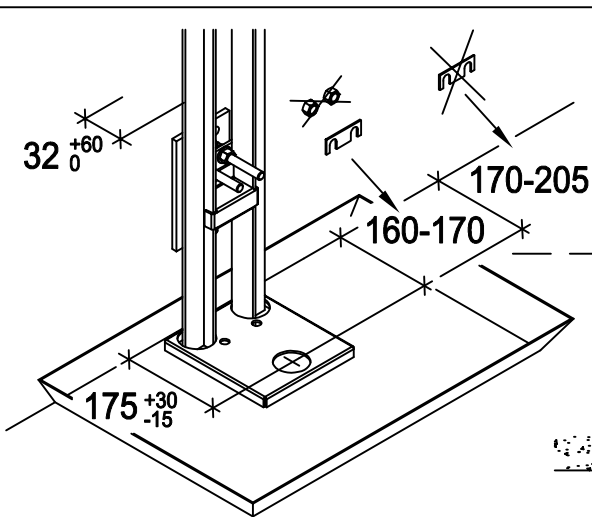
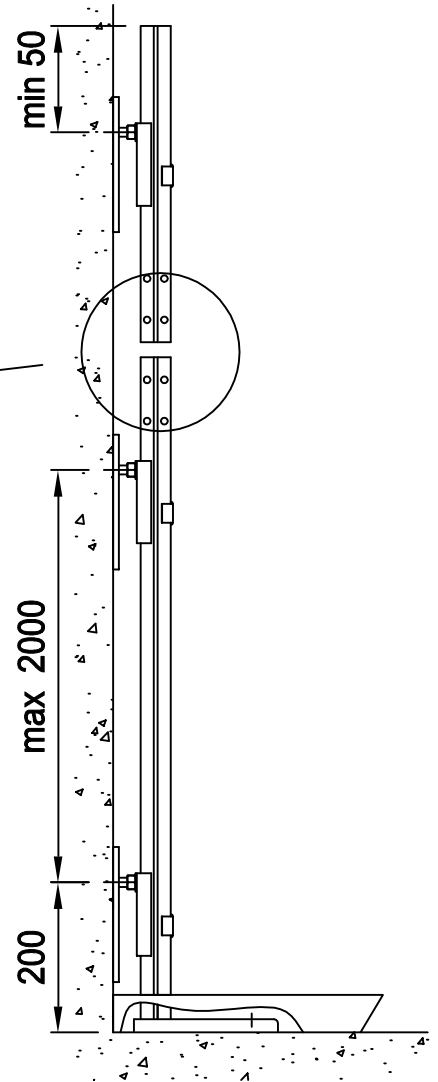
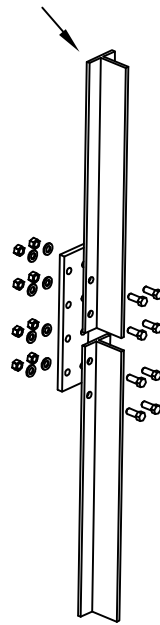
EC 2N

CK1


	CK1
EC-2N	$1/2 Lp + 450 \leq CK1 \leq 1/2 Lp + 1900$

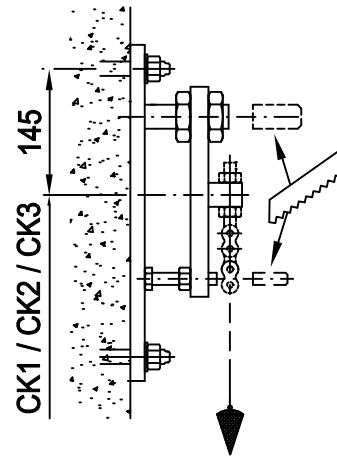
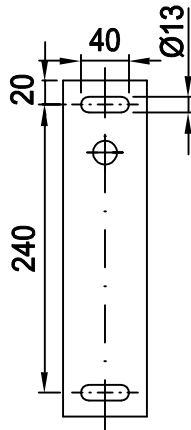
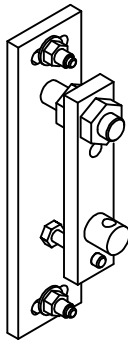
EC -2Y,3Y,4Y



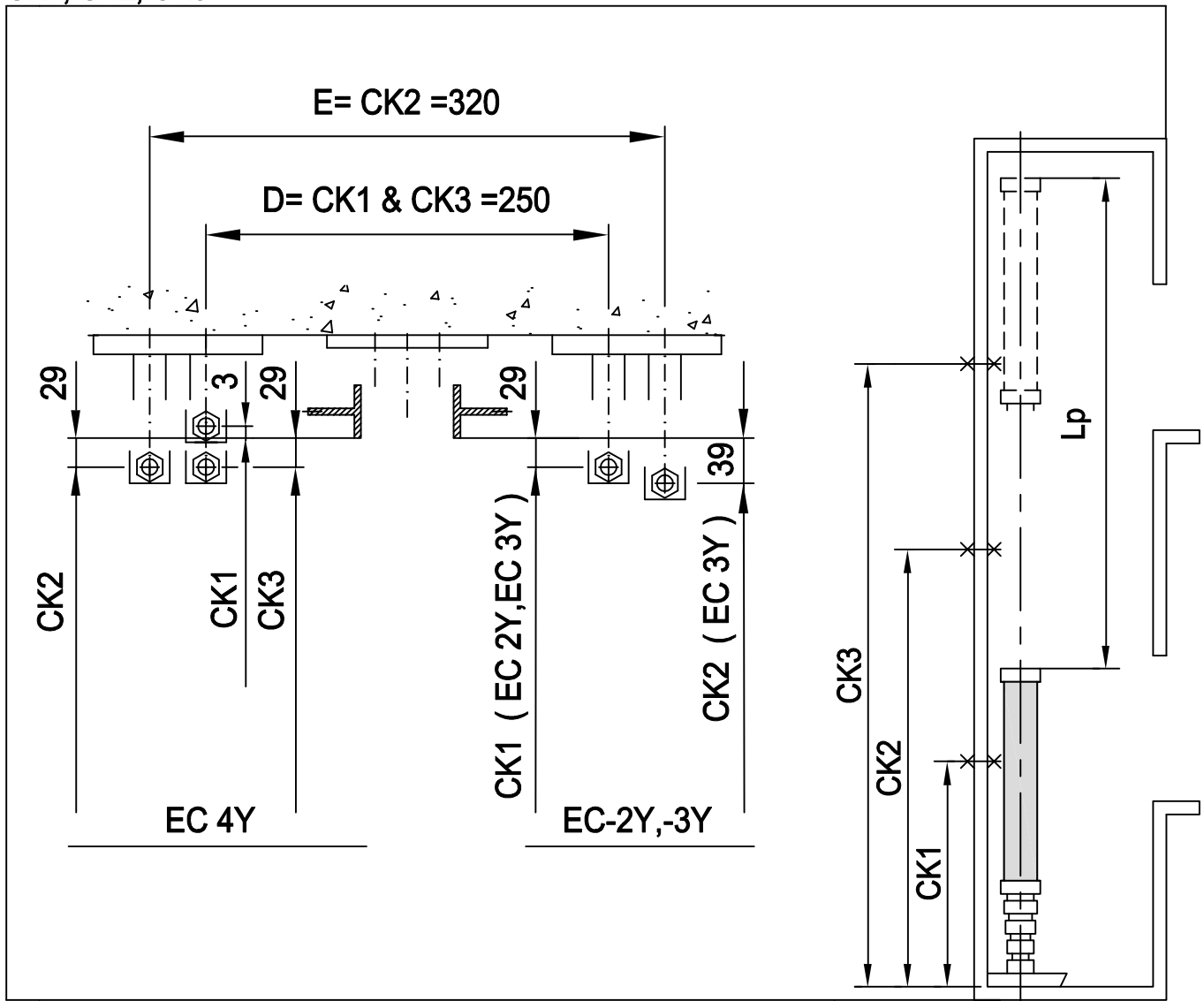
RT40



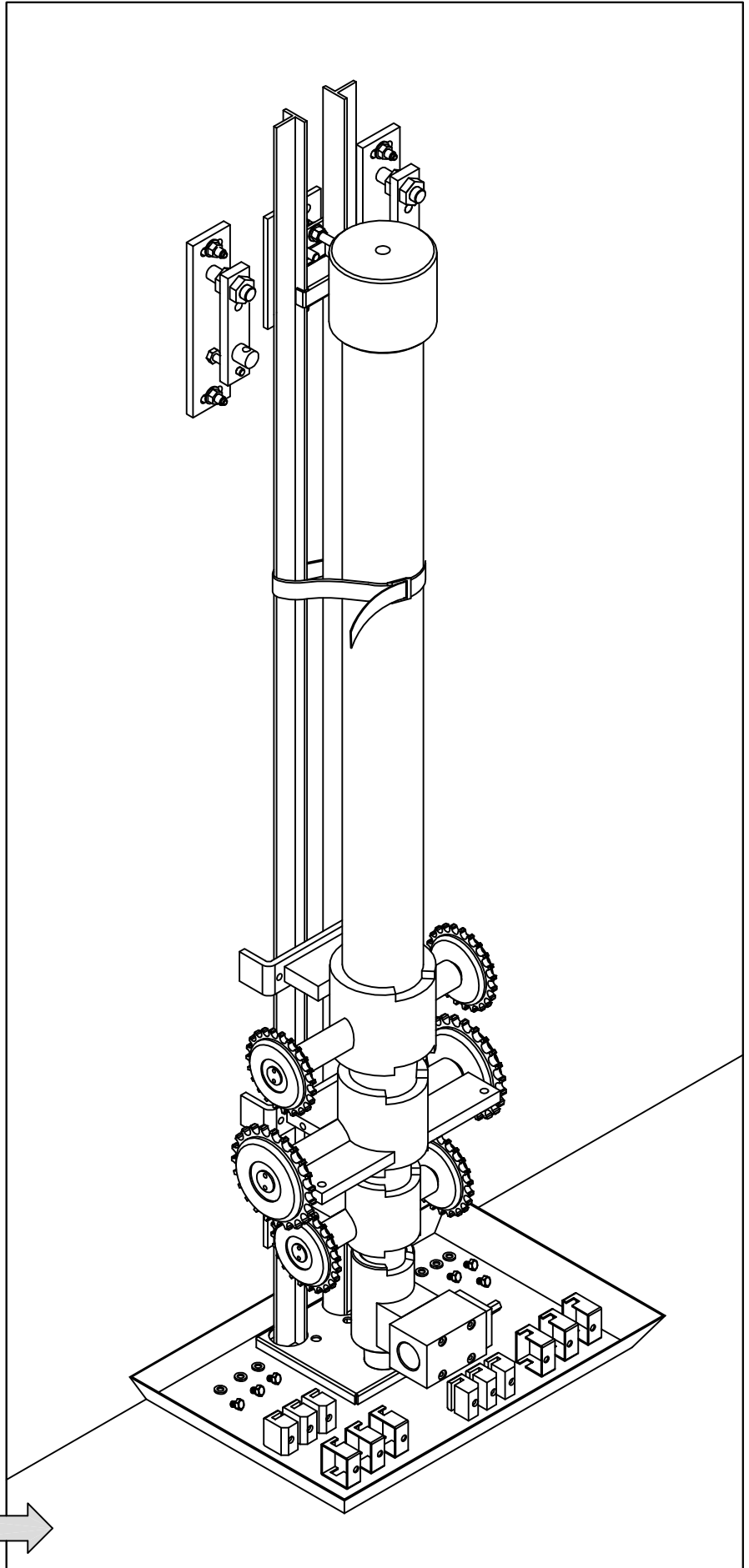
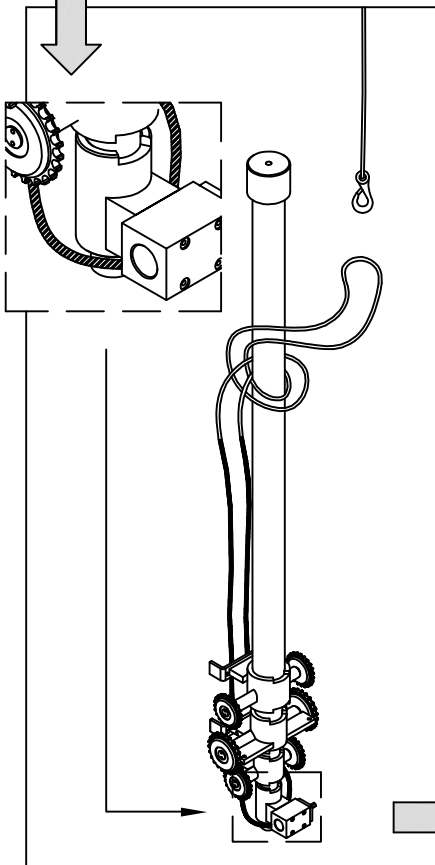
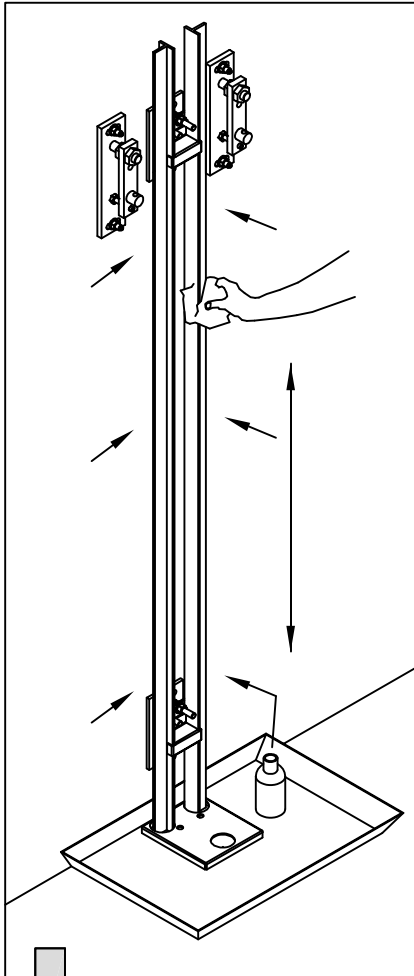
EC -2Y,3Y,4Y

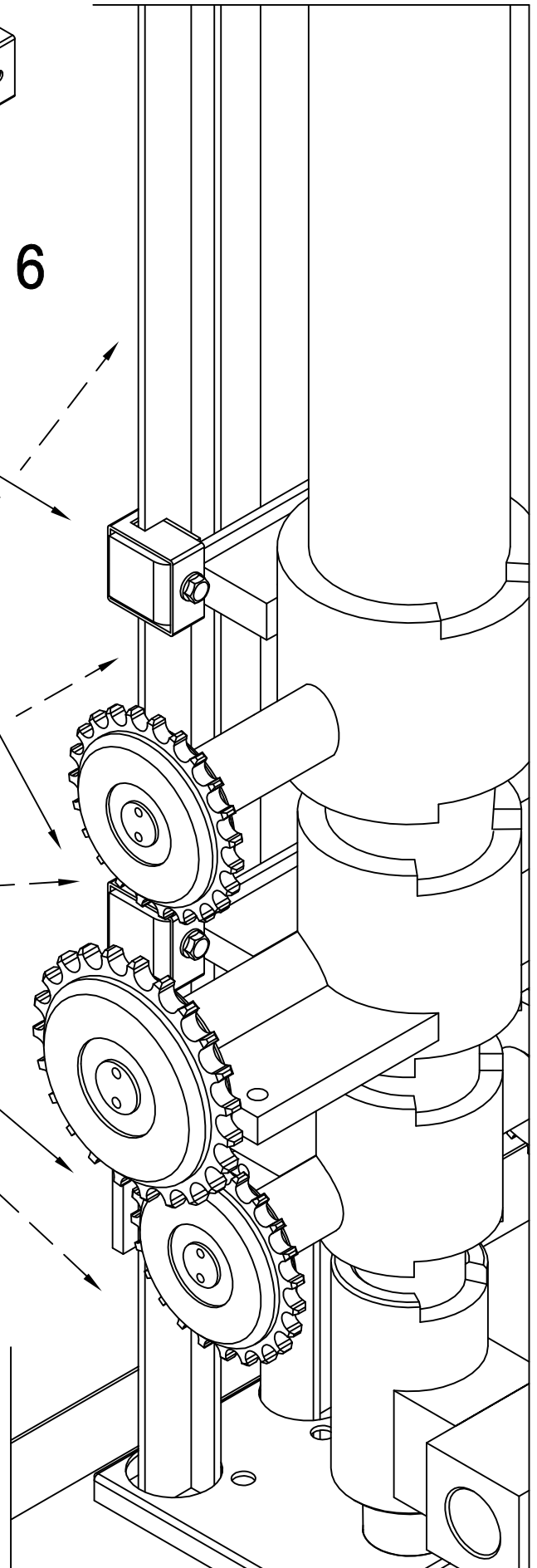
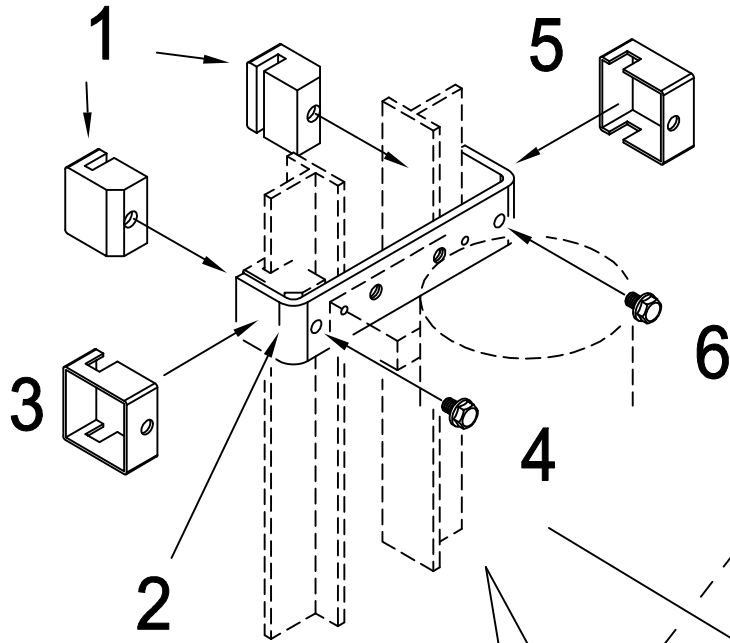


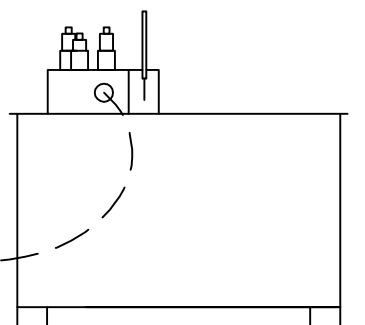
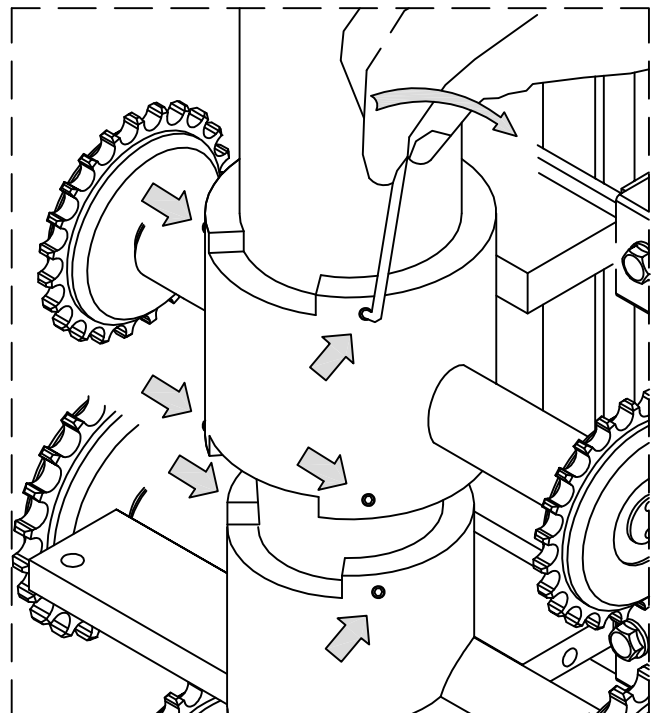
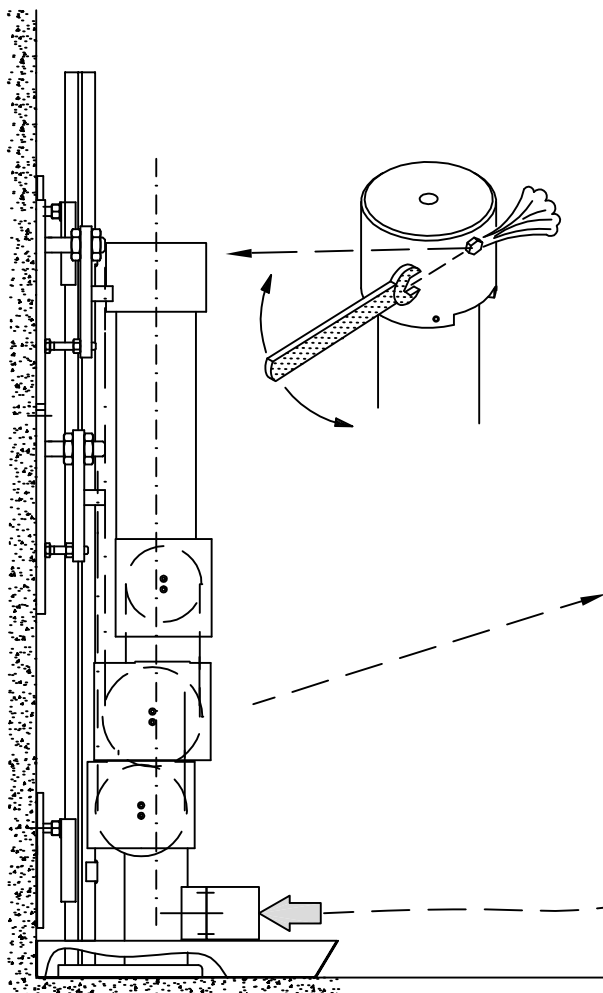
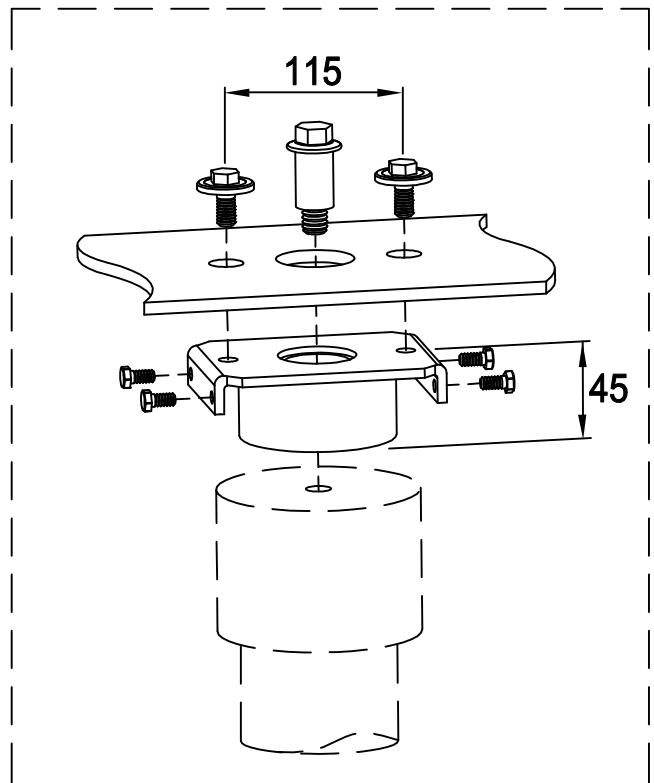
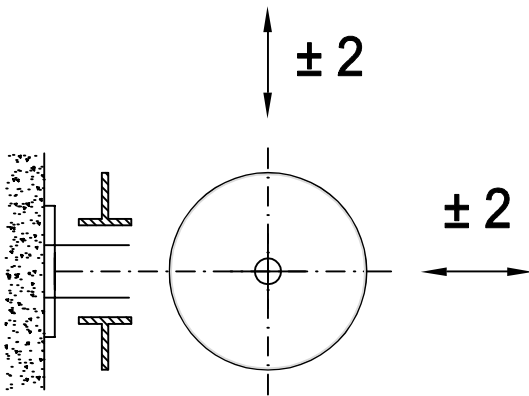
CK1, CK2, CK3

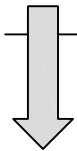
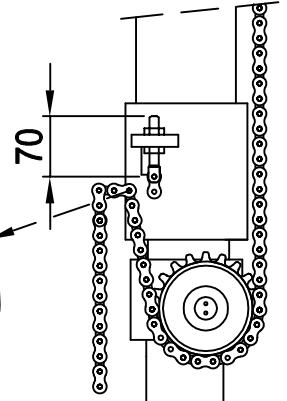
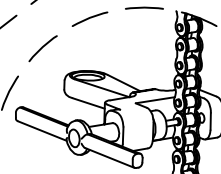
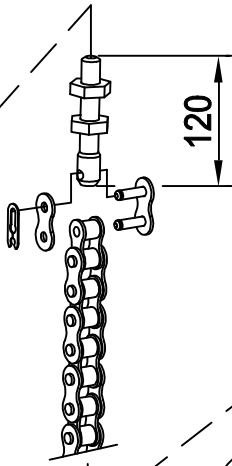
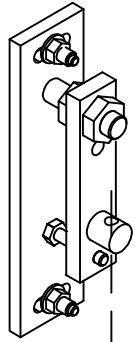


	CK1	CK2	CK3
EC-2Y	$1/2 Lp + 450 \leq CK1 \leq 1/2 Lp + 1900$	—	—
EC-3Y	$1/3 Lp + 450 \leq CK1 \leq 1/3 Lp + 1900$	$2/3 Lp + 600 \leq CK2 \leq 2/3 Lp + 2100$	—
EC-4Y	$1/4 Lp + 550 \leq CK1 \leq 1/4 Lp + 2050$	$2/4 Lp + 700 \leq CK2 \leq 2/4 Lp + 2200$	$3/4 Lp + 700 \leq CK3 \leq 3/4 Lp + 2200$



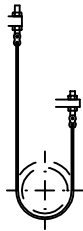




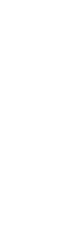


2 Y/N

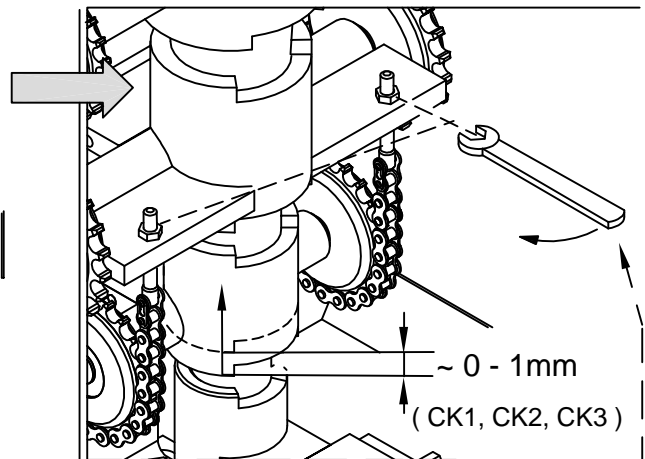
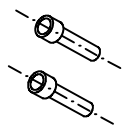
CK1



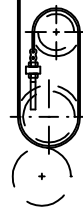
CK2



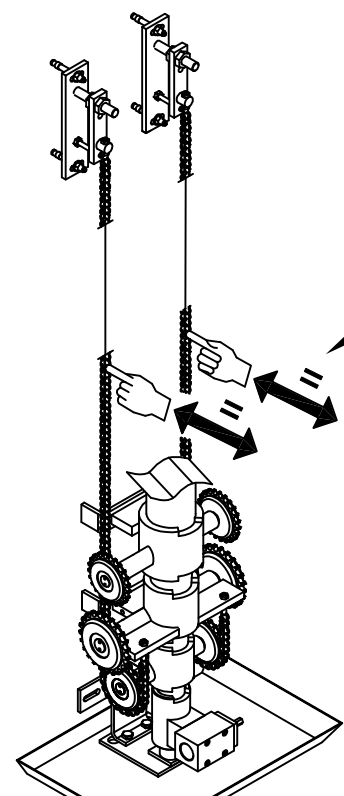
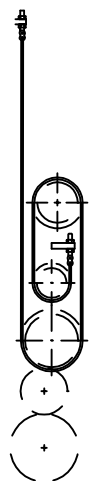
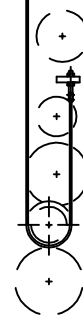
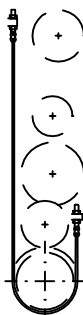
CK3

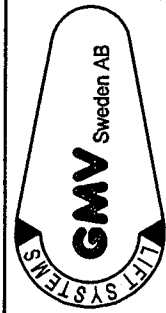


3 Y



4 Y





LYFTCYLINDER EC - TELESCOPIC JACK EC (T-40)

Montering / Installation / Installazione / Montierung
Montage / Montar / Instalacja

GMV Sweden AB

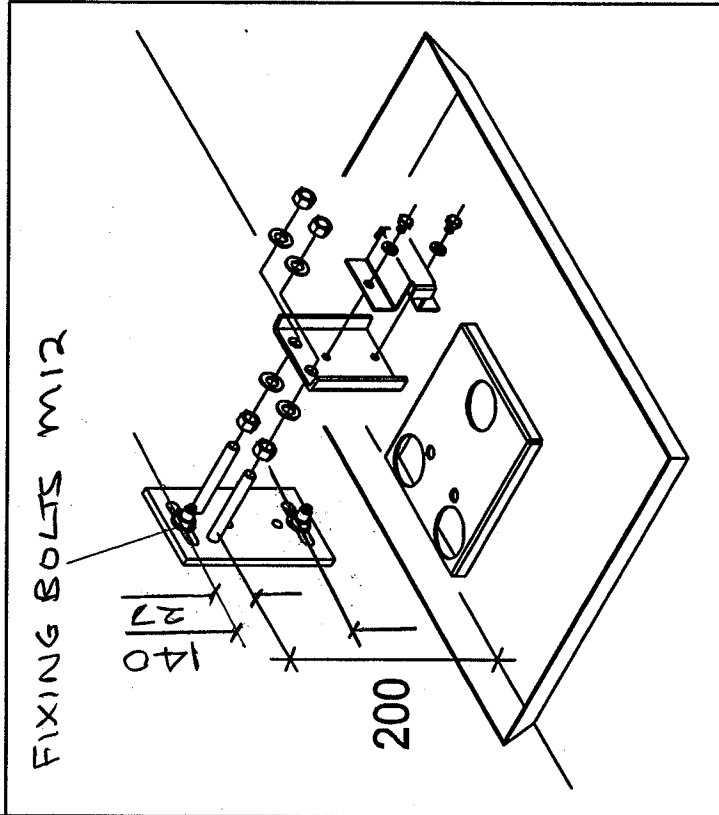
1:2.2

02-09-09

3/8

2

EC-2Y,3Y,4Y



RT40

