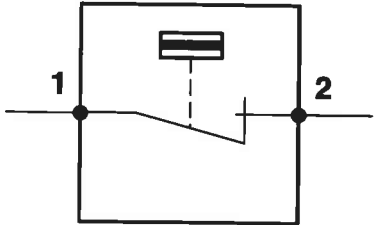
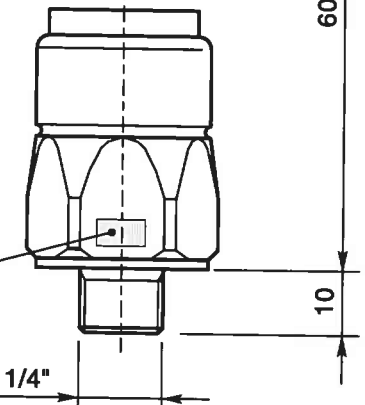
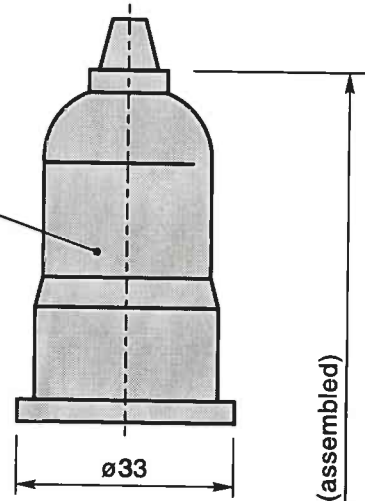


normally open  
(pressure = 0)



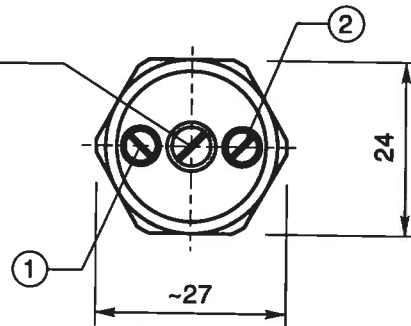
normally closed  
(pressure = 0)

rubber cap



marking:  
K 4 TA (normally open)  
K 4 TC (normally closed)

adjustment screw:  
green (normally open)  
yellow (normally closed)



**TECHNICAL CHARACTERISTICS**

<b>MAXIMUM CONTACT RATING</b>	alternate current 48 V - max 2A direct current 48 V - max 1A
<b>PROTECTION GRADE</b>	IP 54
<b>COMMUTATION FREQUENCY</b>	200 cycles/min
<b>WORKING TEMPERATURE</b>	- 20 °C + +80 °C
<b>ENDURANCE</b>	10 <sup>6</sup> cycles at 70 bar 20° C
<b>ADJUSTMENT RANGE</b>	5 + 50 bar
<b>BREAKING PRESSURE</b>	200 bar
<b>SWITCHING ACCURACY</b>	± 5 % of set pressure 20° C
<b>HYSTERESIS (MEDIUM VALUE)</b>	6% of set value